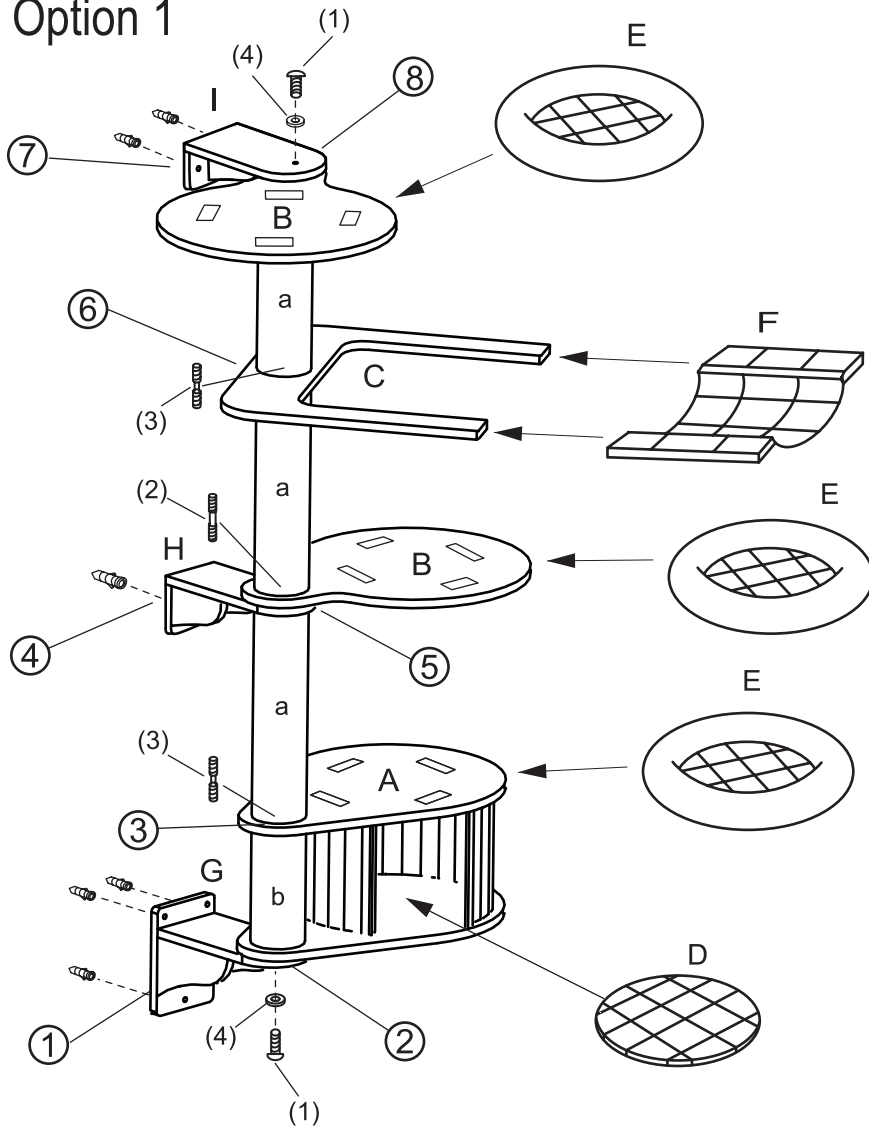
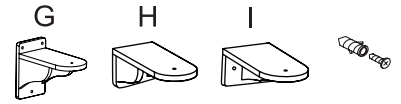


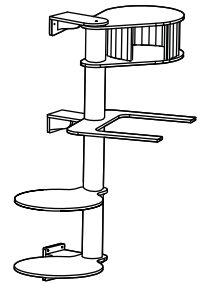
Option 1



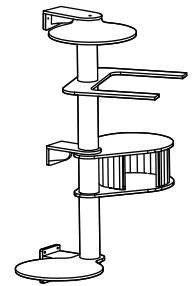
6 dowels are needed to fix the tree using detail "G, H, I" to the wall. Please note that these dowels are not included and depend on your type of wall



Option 2



Option 3



1X		A	1X		F	3X		(45cm)	2X		M8*50mm (1)
2X		B	1X		G	1X		(25,3cm)	1X		M8*90mm (2)
1X		C	1X		H	2X			2X		M8*90mm (3)
1X		D	1X		I	2X			2X		D30mm (4)
3X		E				1X			1X		

LA 99397

Made in Georgia